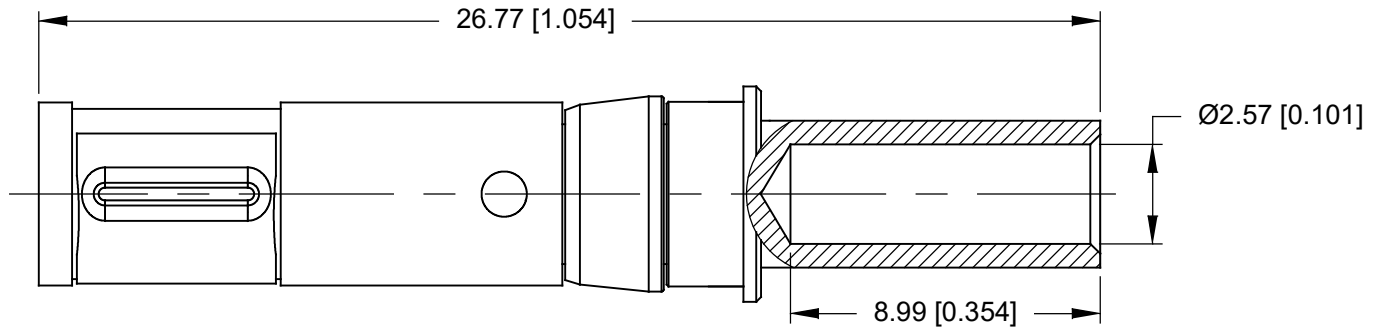
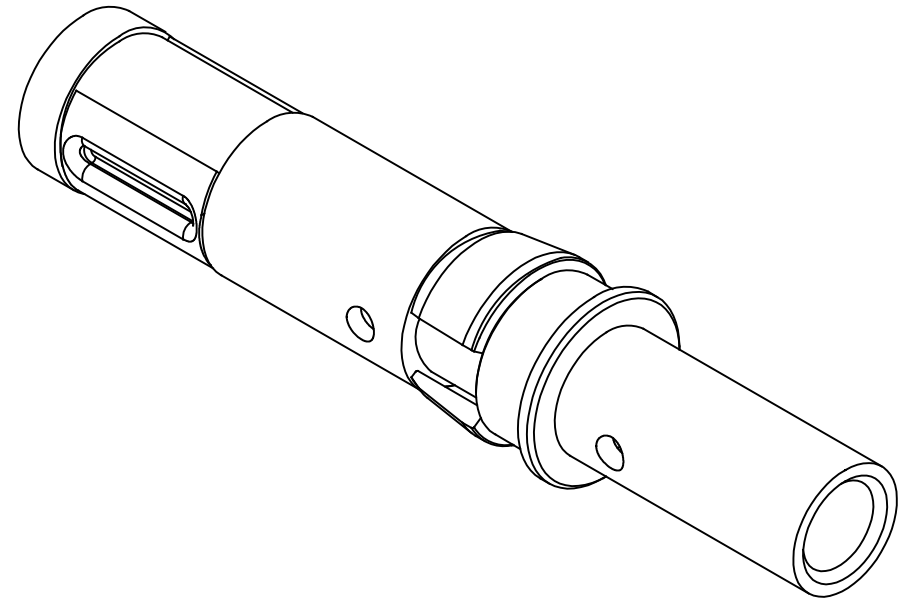


THIS DRAWING CONTAINS INFORMATION PROPRIETARY TO POSITRONIC AND ITS SUBSIDIARIES. POSITRONIC BELIEVES THE DATA ON THIS DRAWING TO BE RELIABLE. SINCE THE TECHNICAL INFORMATION IS GIVEN FREE OF CHARGE, THE USER EMPLOYS SUCH INFORMATION AT HIS OWN DISCRETION AND RISK. POSITRONIC ASSUMES NO RESPONSIBILITY FOR RESULTS OBTAINED OR DAMAGES INCURRED FROM USE OF SUCH INFORMATION IN WHOLE OR IN PART.

DATE	REV	REVISION RECORD	APP	DR	CK
07-27 21	C	ECO 83206	PA	PY	AB



NOTES:

- 1) MATERIALS AND FINISHES:
 CONTACT : HIGH CONDUCTIVITY COPPER ALLOY WITH GOLD FLASH OVER NICKEL PLATE.
 SPRING CLIP: BERYLLIUM COPPER, GOLD OVER NICKEL PLATE.
 RETAINER: POLYETHERIMIDE, COLOR: BLACK.
- 2) CONTACT IS COMPLIANT TO THE CURRENT RoHS DIRECTIVE.
- 3) THIS MOS ALLOWS FOR THE CONTACT TO BE SUPPLIED WITH SPECIAL CONTACT WHICH ALLOWS FOR TOUCH SAFE FEATURE.
- 4) DETAILED PRODUCT, MECHANICAL AND ELECTRICAL INFORMATION IS AVAILABLE IN THE LATEST SCORPION PRODUCT PUBLICATION AT CONNECTPOSITRONIC.COM.
- 5) DIMENSIONS ARE IN MILLIMETERS [INCHES].

	POSITRONIC INDUSTRIES INC. SPRINGFIELD, MISSOURI 65801	
	SCALE N.T.S.	DRAWN BY EH
DECIMAL TOL. ±0.38 [0.015]	TITLE SP SERIES FEMALE CRIMP SIZE 8 CONTACT	APPROVED BY SAMY
ANGULAR TOL. ±5°	DATE 11-27-19	DRAWING NUMBER FC4012DS/AA-2272
		REV. C

Mouser Electronics

Authorized Distributor

Click to View Pricing, Inventory, Delivery & Lifecycle Information:

[Positronic:](#)

[FC4012DS/AA-2272](#)