

6

5

4

3

2

1

D

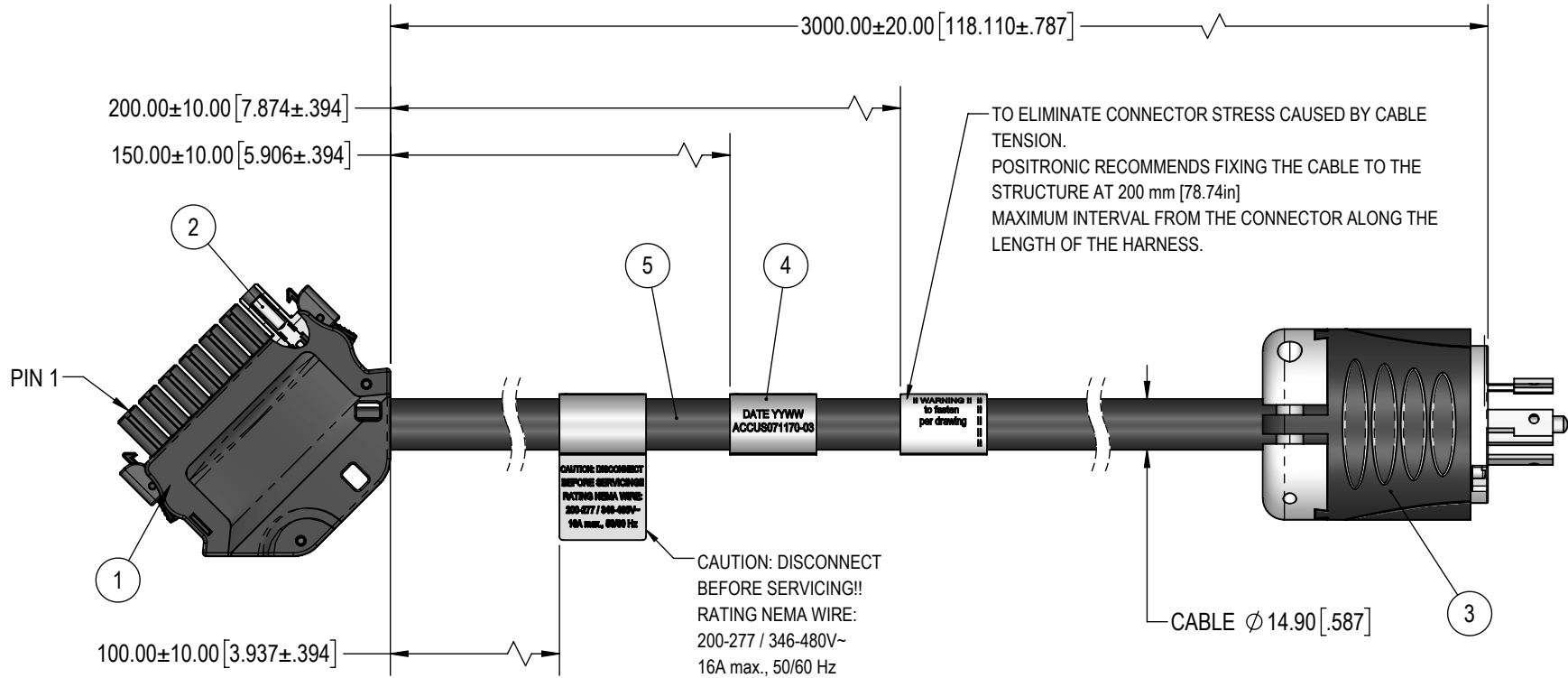
D

C

C


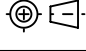
B

B



A

A

REP.	PART NUMBER	DESCRIPTION	QTY.	BY	RB	CHK	AB	3RD ANGLE	<small>POSITRONIC BELIEVES THE DATA ON THE DRAWING TO BE RELIABLE. THE USER EMPLOYS SUCH INFORMATION AT HIS OWN DISCRETION AND RISK. POSITRONIC ASSUMES NO RESPONSIBILITY FOR RESULTS OBTAINED OR DAMAGES INCURRED FROM USE OF SUCH INFORMATION IN WHOLE OR IN PART.</small>	 Positronic [®]			
1	SP10RSSS1F0W01-AA-2268	SP10RSSS1F0W01-AA-2268	1	APR	PP		RELEASED DATE: 2023-01-04				<small>SCALE</small> NTS	<small>PART NUMBER</small> ACCUS071170-03	<small>SERIES</small> CABLES
2	FC4012DS/AA-2272	FEMALE CONTACT ASSEMBLY AWG12	7	<small>TOLERANCES</small> ±0.03mm [.001 INCHES] FOR MALE CONTACT MATING DIAMETERS ±0.08mm [.003 INCHES] FOR CONTACT TERMINATION DIAMETERS ±0.13mm [.005 INCHES] FOR ALL OTHER DIAMETERS ±0.38mm [.015 INCHES] FOR ALL OTHER DIMENSIONS ±5° FOR ALL ANGLES DIMENSION ARE IN MILLIMETERS [INCHES]									
3	A5054-419-0-0	CONNECTOR PLUG NEMA L22-20P	1										
4	A5066-54-0-0	LABEL	3										
5	A5049-399-0-0	CABLE 5 WIRE, AWG12 (4mm ²), UL RECOGNIZED, HIGH FLEX, HF, BLACK.	3m [118.1in]										
								<small>CREATED ON:</small> 2022-12-19	<small>SHEET</small> SHEET 1 OF 2	<small>REV</small> C			

6

5

4

3

2

1

6

5

4

3

2

1

D

D

C

C

B

B

A

A

6

5

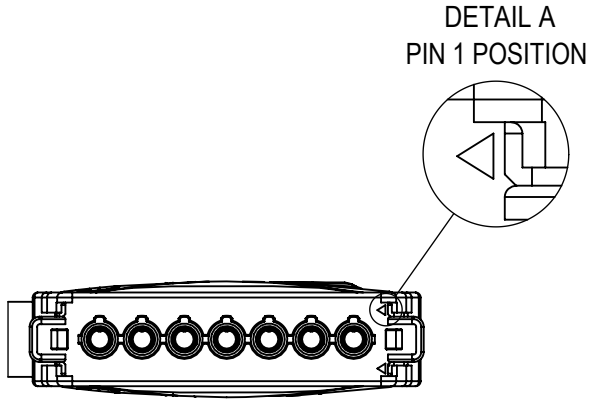
4

3

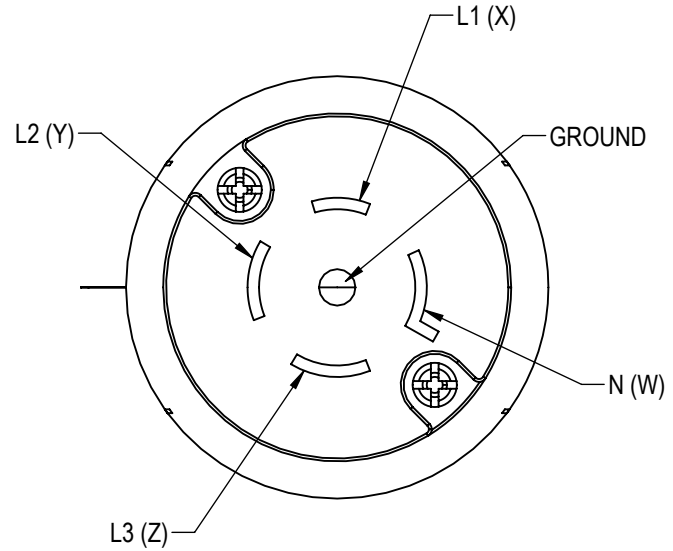
2

1

SP CONNECTOR FRONT VIEW



MALE PLUG NEMA L22-20P CONNECTOR FRONT VIEW



PIN-OUT TABLE

	SP CONNECTOR
GREY L1(X)	Pin 1
BROWN L2(Y)	Pin 2
Y/G G	Pin 3
	Pin 4
	Pin 5
BLACK L3(Z)	Pin 6
BLUE N(W)	Pin 7

3RD ANGLE 	PART NUMBER ACCUS071170-03	SERIES CABLES
	DESCRIPTION CABLE ASSEMBLY WITH SP CONNECTOR	
SCALE NTS	CREATED ON: 2022-12-19	SHEET SHEET 2 OF 2
		REV C

Mouser Electronics

Authorized Distributor

Click to View Pricing, Inventory, Delivery & Lifecycle Information:

[Positronic:](#)

[ACCUS071170-03](#)