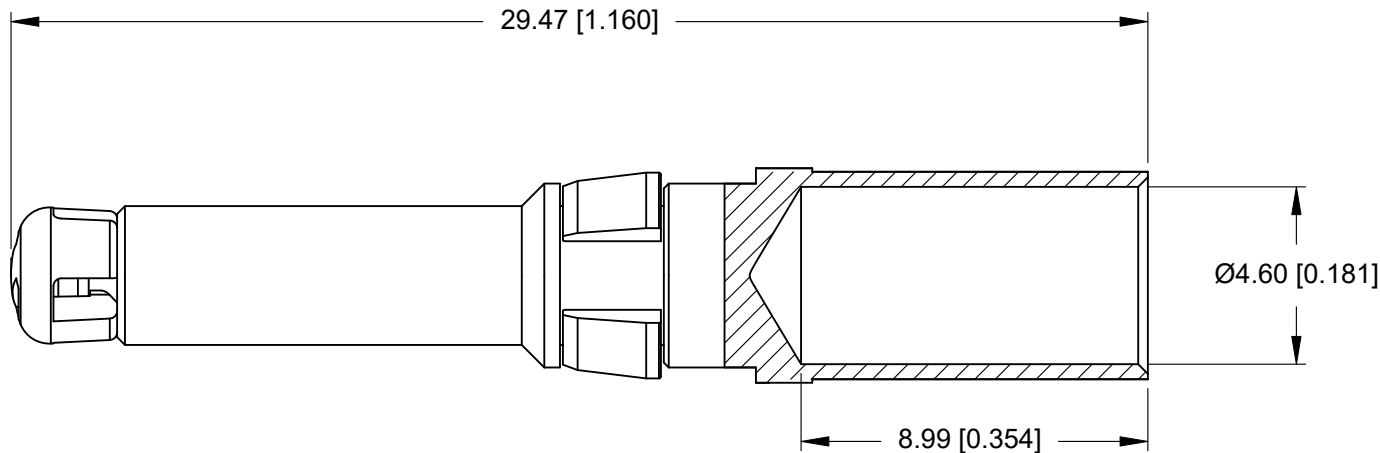
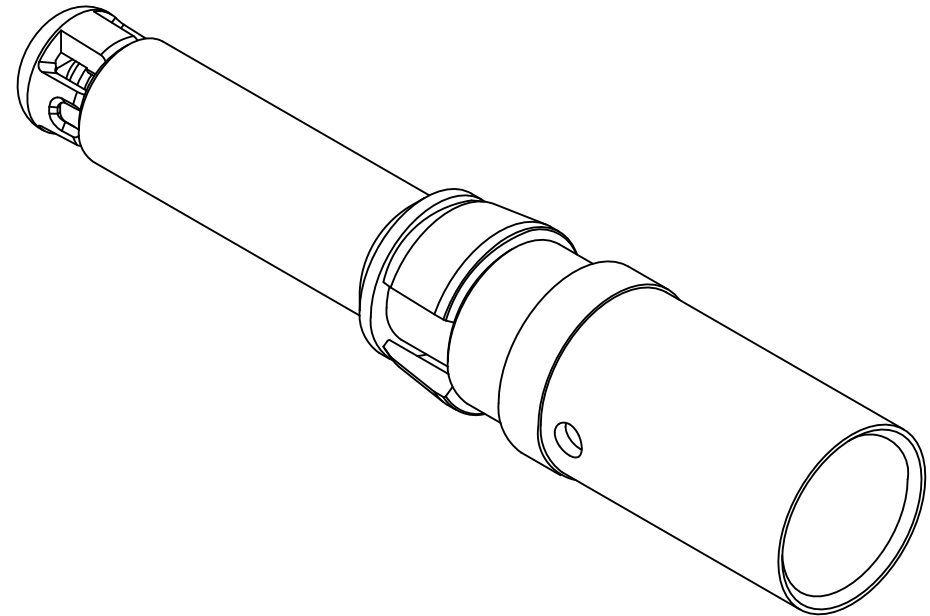


THIS DRAWING CONTAINS INFORMATION PROPRIETARY TO POSITRONIC AND ITS SUBSIDIARIES. POSITRONIC BELIEVES THE DATA ON THIS DRAWING TO BE RELIABLE, SINCE THE TECHNICAL INFORMATION IS GIVEN FREE OF CHARGE, THE USER EMPLOYS SUCH INFORMATION AT HIS OWN DISCRETION AND RISK. POSITRONIC ASSUMES NO RESPONSIBILITY FOR RESULTS OBTAINED OR DAMAGES INCURRED FROM USE OF SUCH INFORMATION IN WHOLE OR IN PART.

DATE	REV	REVISION RECORD	APP	DR	CK
06-03 22	B	ECO 88341	CM	JH	CM



NOTES:

- 1) MATERIALS AND FINISHES:
 CONTACT : HIGH CONDUCTIVITY COPPER ALLOY WITH GOLD FLASH OVER NICKEL PLATE.
 RETAINER: POLYETHERIMID, COLOR: BLACK.
 MALE CONTACT CAP: POLYAMIDE, COLOR: BLACK.
- 2) THIS MOS ALLOWS FOR THE CONTACT TO BE PROVIDED WITH SPECIAL MATING LENGTH FOR FIRST MATE AND TOUCH SAFE FEATURE.
- 3) COMPLIANT TO THE CURRENT ROHS DIRECTIVE.
- 4) DIMENSIONS ARE IN MILLIMETERS [INCHES].

	POSITRONIC INDUSTRIES INC. SPRINGFIELD, MISSOURI 65801		SCALE	DRAWN BY
	SP SERIES		N.T.S.	ZIN WAH
DECIMAL TOL. ±0.38 [0.015]	TITLE MALE CRIMP SIZE 8 CONTACT		APPROVED BY	SAMY
ANGULAR TOL. ±5°	DATE 09-09-20	DRAWING NUMBER MC4008DS/AA-2270	REV.	B

Mouser Electronics

Authorized Distributor

Click to View Pricing, Inventory, Delivery & Lifecycle Information:

[Positronic:](#)

[MC4008DS/AA-2270](#)