

0.50 Series Connectors for Automotive and Commercial Vehicles



AUTOMOTIVE

INNOVATIVE TECHNOLOGIES

TE Automotive - a business segment of TE Connectivity - follows the globalization goals of our customers, speeds up the integration of new technologies and enables our customers access to our vast product portfolio and services.

TERMINALS & CONNECTORS



TE Automotive offers a broad range of high quality terminals and connectors. Our electrical/electronic interconnection products and solutions are used to electrically and mechanically join wires and cables, printed circuit boards, integrated circuit packages and batteries. TE Automotive expanding capabilities include new copper and fiber-optic connectors, wires, cables/cable management systems that are designed to meet automotive industry demands. Our brands encompass the broadest range of connectors in the world, including high-density, high-speed designs for leading-edge communications equipment.

HYBRID & ELECTRIC MOBILITY SOLUTIONS



Complete the connections you need to safely, and reliably make hybrid and electric mobility a reality for everyone, everyday. With over 50 years experience in automotive, industrial and energy connectivity, TE is an expert in pushing innovation from one industry to the next. Our portfolio of AMP+ high voltage relays, resistors, AMP+ headers, connectors, IPT/APT and cable assemblies and vehicle charging solutions are designed to connect and protect electric distribution inside and outside of the vehicle.

CABLE ASSEMBLY SYSTEMS



TE Automotive is your partner for special cable assemblies. We offer research and development capabilities, prototyping, samples as well as manufacturing facilities for special cable assemblies. This includes overmold technology, semi/fully automatic manufacturing, testing equipment and appliances for handling of high volume production.

SENSORS



Contact-less measuring eliminates interference effects, wear and tear, and provides increased reliability. TE Automotive, one of the largest technology providers for the automobile industry, offers contact-less sensors for a variety of applications.

As sensor manufacturer and processing partner, TE Automotive also provides project planning support for new sensor applications, assistance in the selection of the appropriate sensor technology for the respective application, and assistance with defining the corresponding mechanical, electrical and magnetic interface.

TE Automotive has a broad electro-mechanical portfolio that includes robust housing technologies, connector systems, and temperature stable designs based on foil and cable networks. This combination of technologies and experience ensures that reliable and cost effective sensor solutions are available for all application types.

INFOTAINMENT



TE Automotive is focused on providing the best in class infotainment technology to support high speed data communication in the automotive industry. Data communication based optical, coaxial as well as shielded electrical physical layers are supported by a wide product portfolio of Automotive grade connector systems.

Through a deep understanding of the technical properties and requirements of signal integrity and combined with our application knowledge both in the vehicle as well as in the logistics chain, TE Automotive is well positioned to offer the right solution for all current and next generation Infotainment Systems.

INDUCTIVE COIL SYSTEMS



TE Automotive is your source for interconnection technologies for automotive, truck and off-highway OEMs and Tier 1 suppliers. With our global design center in Belgium and manufacturing sites in all regions, TE Automotive's Inductive Coil Systems (ICS) group is ready to design your next-generation coil modules and provide local production support.

The ICS group maintains a leading market position in braking modules and other automotive coil applications. Through early involvement with you on your next design, TE Automotive can offer the benefits of miniaturization, design-in of platform components and optimized process flow for your standard, hybrid and electric vehicle project needs.



TE Automotive Online

The TE Automotive website is an innovative and interactive source for application information, product updates and technical solutions. Please contact us at:

www.te.com/automotive

Internet

www.te.com

www.te.com/automotive

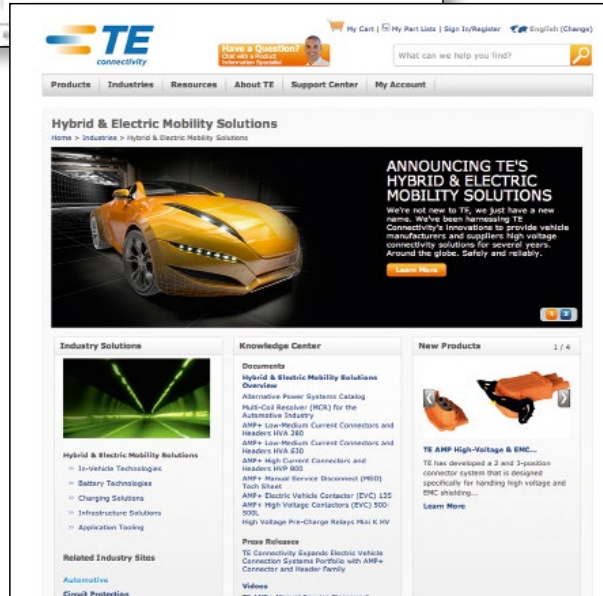
www.te.com/automotive/sensors

www.te.com/automotive/most

www.te.com/en/industries/hybrid-electric-mobility-solutions

Electronic Internet Catalog

www.te.com/components



- www.te.com/automotive
- www.te.com/automotive/sensors
- www.te.com/automotive/most
- www.te.com/en/industries/hybrid-electric-mobility-solutions



Product and Machine Literature

TE Automotive offers a variety of product specific catalogs, brochures and high impact flyers to help better serve you!

For more information on literature for TE Automotive, please contact your local organization or go to www.te.com/automotive

Product Information Center (PIC)

You can rely on TE Connectivity's PIC Team to provide you support for answers to your general information or technical questions in an efficient and effective manner. To reach our PIC staff, please contact your local organization or see our Global Contacts page. Please contact us at:
<http://www.te.com/customersupport/support.asp>



Restriction on the use of Hazardous Substances (RoHS)

Restriction on the use of Hazardous Substances (RoHS)

At TE Connectivity, we're ready to support your RoHS requirements. We've assessed more than 1.5 million end items/components for RoHS compliance, and issued new part numbers where any change was required to eliminate the restricted materials. Part numbers in this catalog are identified as:

RoHS Compliant

Part numbers in this catalog are RoHS Compliant, unless marked otherwise.

These products comply with European Union Directive 2002/95/EC as amended 1 January 2006 that restricts the use of lead, mercury, cadmium, hexavalent chromium, PBB, and PBDE in certain electrical and electronic products sold into the EU as of 1 July 2006.

Note: For purposes of this Catalog, included within the definition of RoHS Compliant are products that are clearly "Out of Scope" of the RoHS Directive such as hand tools and other non-electrical accessories.

Non-RoHS Compliant

These part numbers are identified with a "◆" symbol. These products do not comply with the material restrictions of the European Union Directive 2002/95/EC.

5 of 6 Compliant

A "●" symbol identifies these part numbers. These products do not fully comply with the European Union Directive 2002/95/EC because they contain lead in solderable interfaces (they do not contain any of the other five restricted substances above allowable limits). However, these products may be suitable for use in RoHS applications where there is an application-based exception for lead in solders, such as the server, storage, or networking infrastructure exemption.

Note: Information regarding RoHS compliance is provided based on reasonable inquiry of our suppliers and represents our current actual knowledge based on the information provided by our suppliers. This information is subject to change. For latest compliance status, refer to our website referenced below.

Getting the information you need

Our comprehensive on-line RoHS Customer Support Center provides a forum to answer your questions and support your RoHS needs. A RoHS FAQ (Frequently Asked Questions) is available with links to more detailed information. You can also submit RoHS questions and receive a response within 24 hours during a normal work week. The Support Center also provides:

- Cross-Reference from Non-compliant to Compliant Products
- Ability to browse RoHS Compliant Products in our on-line catalog:
<http://www.te.com/commerce/alt/RohsAltHome.do>
- Downloadable Technical Data Customer Information Presentation
- More detailed information regarding the definitions used above

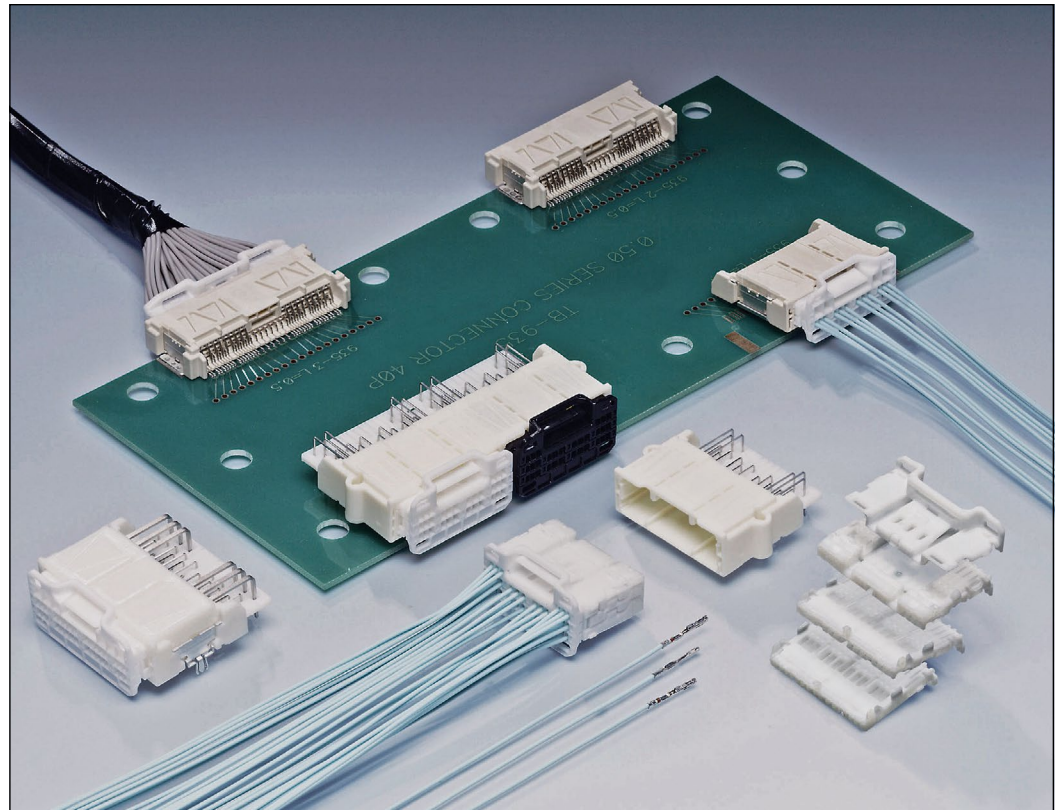
So whatever your questions when it comes to RoHS, we've got the answers at <http://www.te.com/customersupport/rohssupportcenter/>



Introduction



**Innovative Miniature
0.50 Series Connectors
for Automotive &
Commercial Vehicles**



**0.50 Series and
0.50/1.5 Hybrid Connectors**

TE Connectivity has developed an 0.50 series and 0.50/1.5 hybrid automotive I/O connector series for thin-type computer units, high-density circuit boards and ultra-narrow wiring.

The 0.50 series connectors offer significant improvements in miniaturization and weight reduction compared to TE Connectivity 0.64 connector series.

The 0.50 connector series tin plated terminals maintain the same contact reliability as the 0.64 series while reducing packaging volume by 70 percent, weight by 50 percent and height by 50 percent.

The wire-side connectors are small but easy to lock – requiring a mating force of under 55 N for the 40 position size – with an ergonomic shape for proper mating. PCB-side connectors provide a stable surface mount with a center-weighted design.

Product Features

- Minimum pitch of 0.75 mm for surface mounting PCB
- Minimum pitch of 1.5 mm for wire harnesses
- Lead-free solder compliant

Applications

- Drive Support System, Luggage Door Closer System
- Body ECU, Air-Conditioning ECU
- Navigation ECU
- ECUs for Compact and High Density Requirements

0.50 Receptacle Contacts

Technical Features

Contact Material:

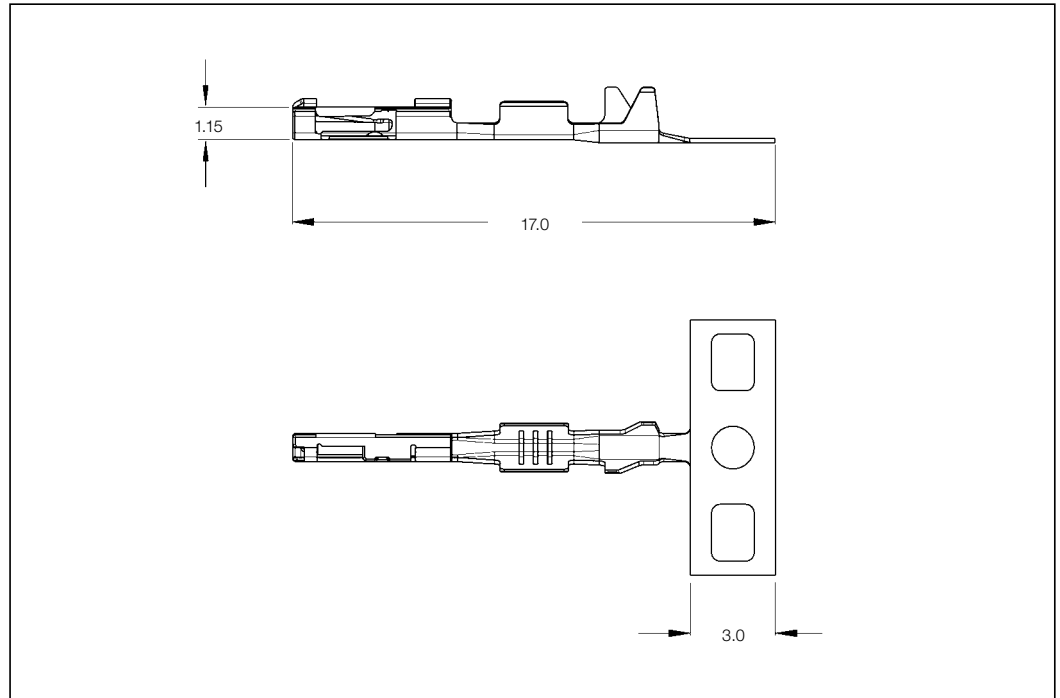
Copper Alloy

Contact Finish:

Pre-tin plated,
Selective gold plated

Application Specification:

See table



0.50 Receptacle Contacts

Wire Size Range (mm ²)	Insulation Diameter (mm)	Material and Finish	Feed (mm)	Strip Form	Part Numbers			Application Spec.	Applicator	Hand Tool with Die Set
					Package Quantity	Loose-Piece	Package Quantity			
CHFUS 0.22-0.35	0.95-1.20	Copper alloy, pre-tin plated	7	1827855-1	40,000	-	-	114-5379	1762850-2	-
		Copper alloy, selective gold plated	7	1903703-1						
CHFUS 0.35-0.50	1.10-1.40	Copper alloy, pre-tin plated	7	1827855-2	40,000	-	-	114-5379	1762851-2	-
CPEX 0.22	1.30-1.50	Copper alloy, pre-tin plated	7	1827855-3	40,000	-	-	114-5379	1762852-2	-
CHFUS 0.13	0.85-0.95	Copper alloy, pre-tin plated	7	1827855-4	40,000	-	-	114-5379	1762853-2	-
ISO 6722 0.22-0.35 7 strand	0.95-1.20	Copper alloy, pre-tin plated	6	2098583-1*	40,000	-	-	114-13287	2151677-[]	-
ISO 6722 0.35 7 strand	1.10-1.40	Copper alloy, pre-tin plated	6	2098583-2*	40,000	-	-	114-13287	2151678-[]	-
ISO 6722 0.13 7 strand	0.85-1.05	Copper alloy, pre-tin plated	6	2098583-4*	40,000	-	-	114-13287	2151679-[]	-

*This terminal intended for USCAR usage

Note: All Part Numbers are RoHS and ELV compliant

1.5 Receptacle Contacts

Please consult our sales representatives to select applicable 1.5 receptacle contacts.

24 & 40 Position Surface Mount Type

Technical Features

No. of Positions:
24 & 40 Positions

Housing Material

Tab Housing:
LCP-GF

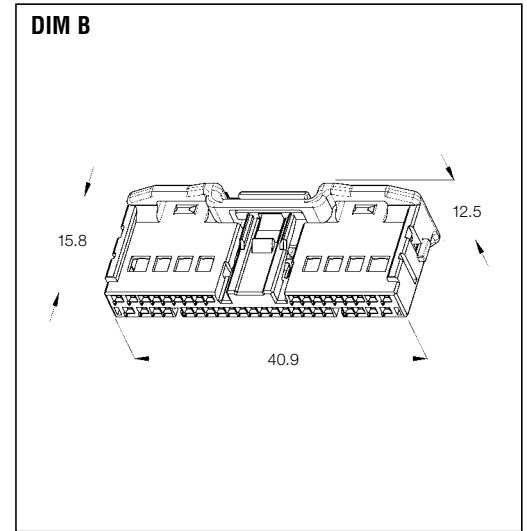
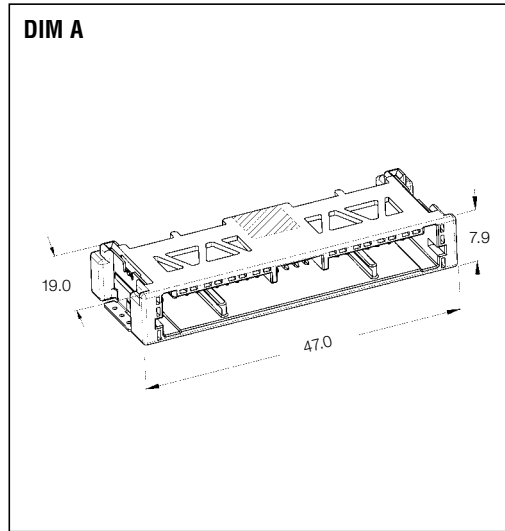
Tab Contact Finish:
Post-tinned

Receptacle Housing:
PBT

Product Specification:
108-78208

Instruction Sheet:
411-78199

Application Specification:
114-5379



24 & 40 Position Surface Mount Type

No. of Positions	Keying Options	Housing Color	DIM		Part Numbers		
			A	B	Tab Housing Assembly	Cover	Mating Receptacle Housing
24	–	Black	37.9	31.8	2013029-4	–	2013031-2
40	–	Natural (White)	47.0	40.9	1871806-1	–	1827842-1

30 Position Screw Mount Type

Technical Features

No. of Positions:

30 Positions

Housing Material

Tab Housing:
SPS-GF

Tab Contact Finish:

Post-tinned

Receptacle Housing:

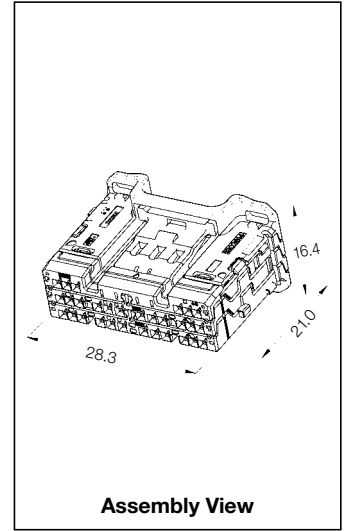
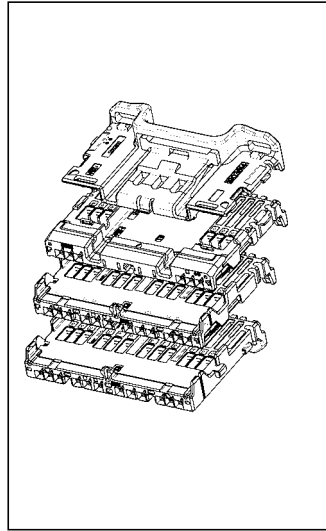
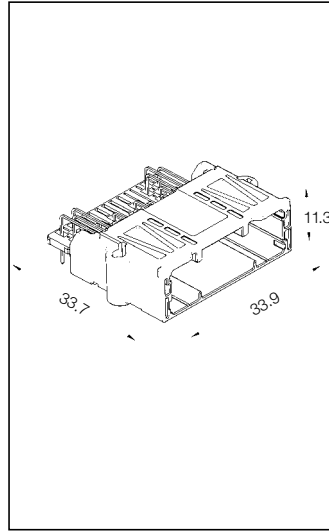
PBT

Product Specification:

108-78437-1

Application Specification:

411-78199



30 Position Screw Mount Type

No. of Positions	Keying Options	Housing Color	Tab Housing Assembly	Part Numbers			
				Lock Housing	Upper Receptacle	Middle Receptacle	Lower Receptacle
30	–	Natural (White)	1939440-1	1903614-1	1903615-1	1903608-4	1903611-5

30 Position Screw Mount Type (continued)

Technical Features

No. of Positions:

30 Positions

Housing Material

Tab Housing:
SPS-GF

Tab Contact Finish:

Post-tinned

Receptacle Housing:

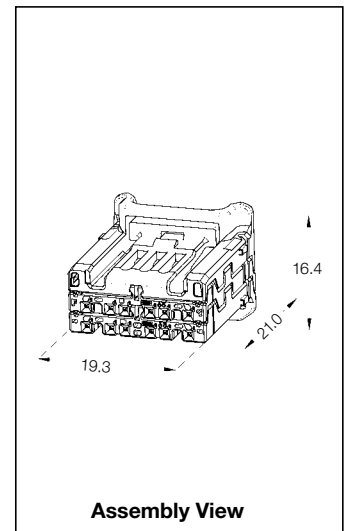
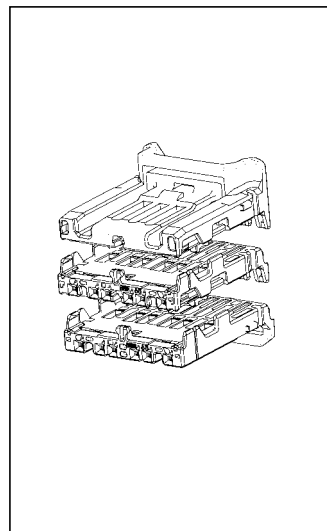
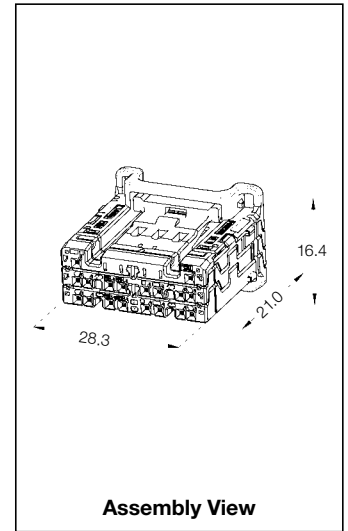
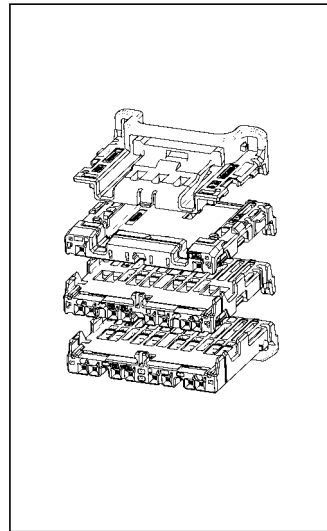
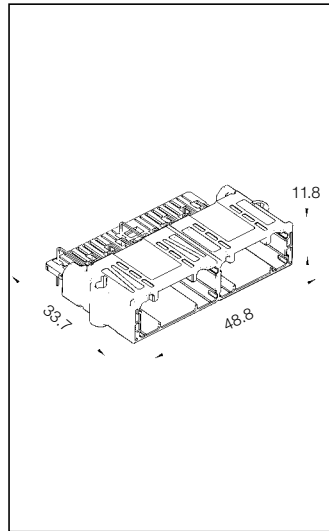
PBT

Product Specification:

108-78437

Application Specification:

411-78268



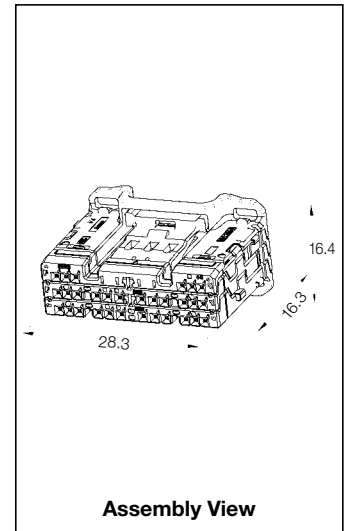
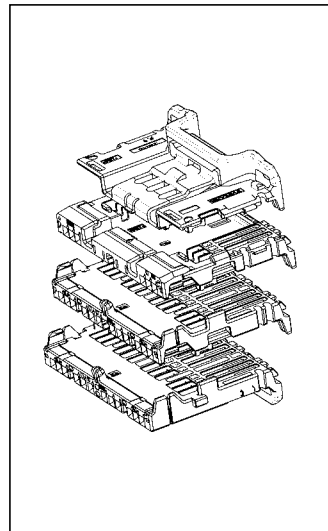
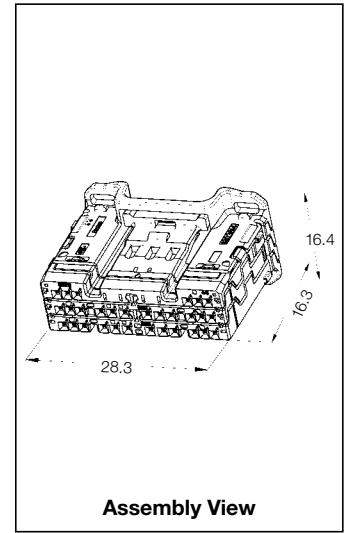
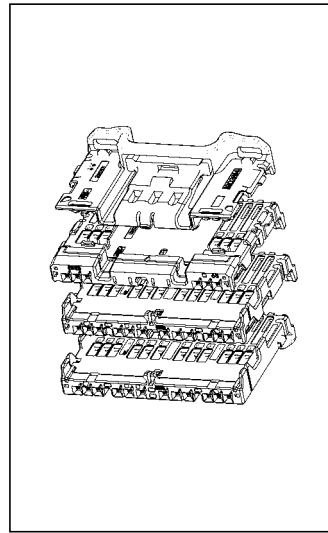
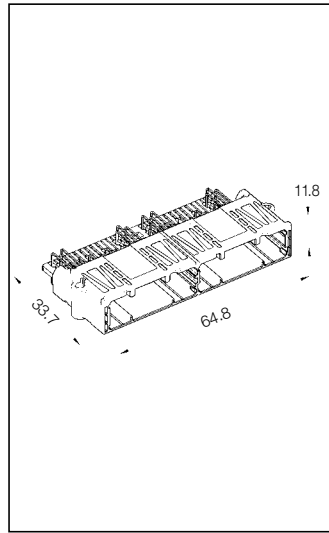
30 Position Screw Mount Type

No. of Positions	Keying Options	Housing Color	Tab Housing Assembly	Part Numbers			
				Lock Housing	Upper Receptacle	Middle Receptacle	Lower Receptacle
30			1939331-1	-	-	-	-
18	-	Natural (White)	-	1903984-1	1903985-1	1903988-4	1903991-4
12			-	1903994-1	-	1903995-1	1903998-1

60 Position Screw Mount Type

Technical Features

- No. of Positions:**
60 Positions
- Housing Material**
- Tab Housing:**
SPS-GF
- Tab Contact Finish:**
Post-tinned
- Receptacle Housing:**
PBT
- Product Specification:**
108-78437
- Application Specification:**
411-78268



60 Position Screw Mount Type

No. of Positions	Keying Options	Housing Color	Tab Housing Assembly	Part Numbers			
				Lock Housing	Upper Receptacle	Middle Receptacle	Lower Receptacle
60			1903695-2	-	-	-	-
30	-	Natural (White)	-	1903614-1	1903615-3	1903608-6	1903611-4
30			-	1903614-2*	1903615-4	1-1903608-0	2-1903611-6

*) Housing Color: Black

16 Position Surface Mount Type

Technical Features

No. of Positions:

16 Positions

Housing Material

Tab Housing:
LCP-GF

Tab Contact Finish:

Post-tinned

Receptacle Housing:

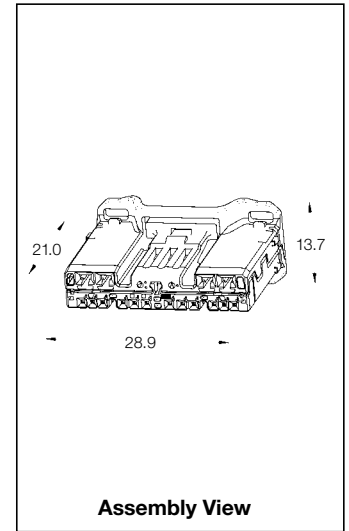
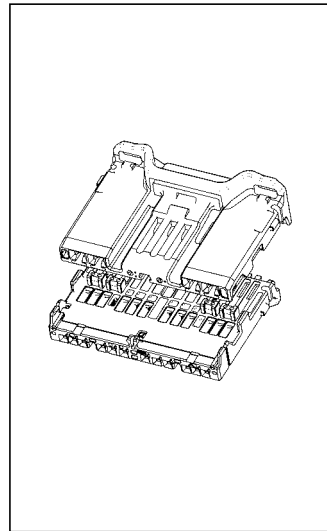
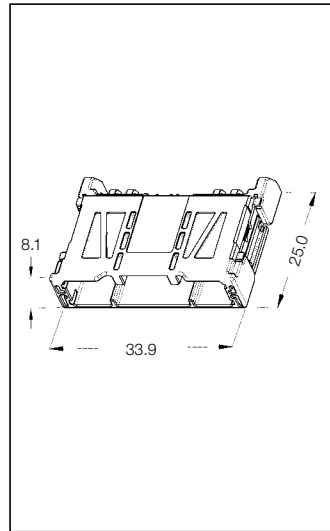
PBT

Product Specification:

108-78438

Application Specification:

411-78199



16 Position Surface Mount Type

No. of Positions	Keying Options	Housing Color	Tab Housing Assembly	Part Numbers			
				Lock Housing	Upper Receptacle	Middle Receptacle	Lower Receptacle
16	–	Natural	1939082-2	1903607-1	(White)	–	1903611-1

Note: 12 cavities are for 0.50 receptacle contacts and 4 cavities are for 1.5 receptacle contacts.

38 Position Board Lock Type

Technical Features

No. of Positions:

38 Positions

Housing Material

Tab Housing:
PBT-GF

Tab Contact Finish:

Post-tinned

Receptacle Housing:

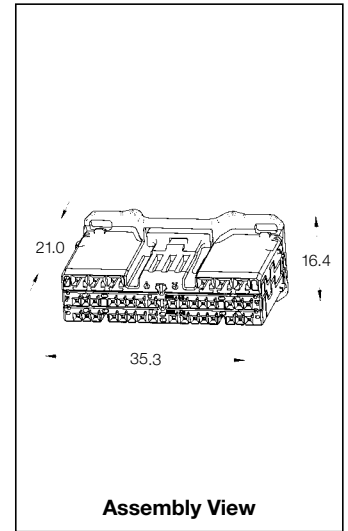
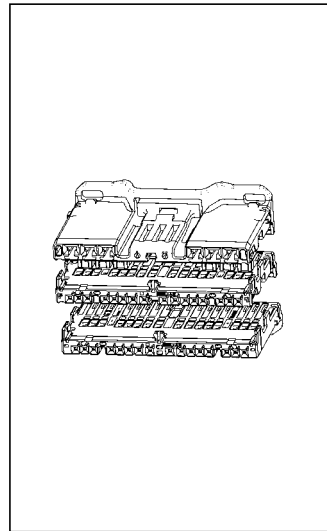
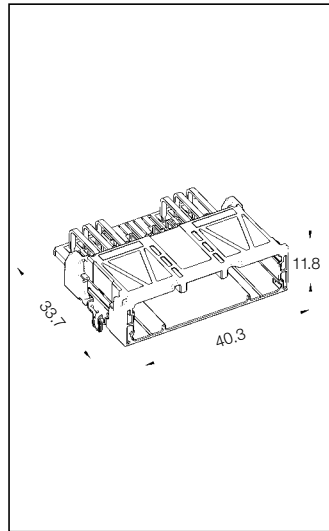
PBT

Product Specification:

108-78437

Application Specification:

411-78268



38 Position Board Lock Type

No. of Positions	Keying Options	Housing Color	Tab Housing Assembly	Part Numbers			
				Lock Housing	Upper Receptacle	Middle Receptacle	Lower Receptacle
38	–	Natural	1903876-1	1903882-1	(White)	1903883-1	1903886-4

Note: 32 cavities are for 0.50 receptacle contacts and 6 cavities are for 1.5 receptacle contacts.

58 Position Board Lock Type

Technical Features

No. of Positions:

58 Positions

Housing Material

Tab Housing:
PBT-GF

Tab Contact Finish:

Post-tinned

Receptacle Housing:

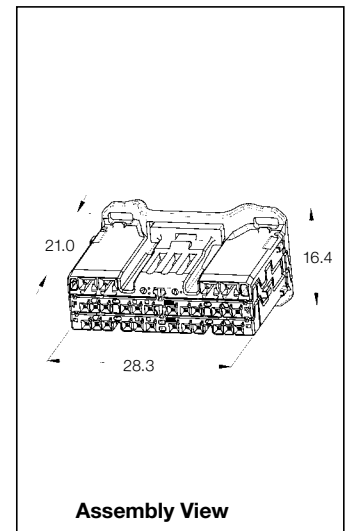
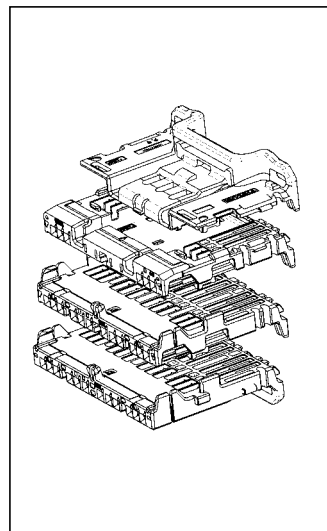
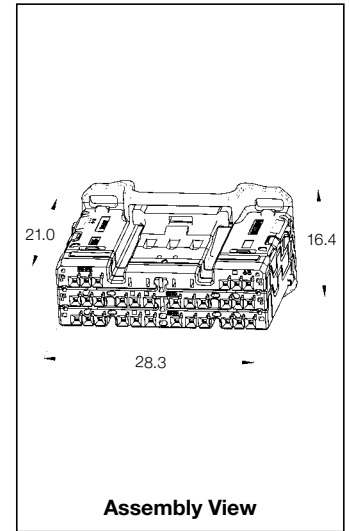
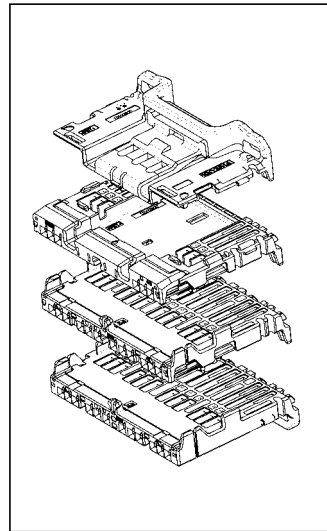
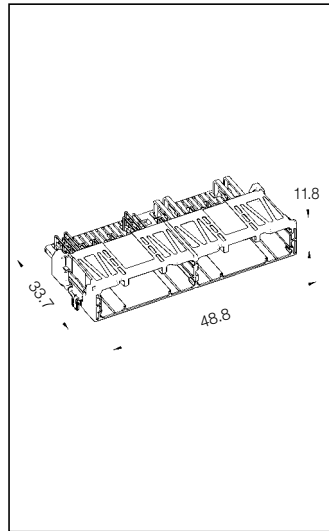
PBT

Product Specification:

108-78437

Application Specification:

411-78268



58 Position Screw Mount Type

No. of Positions	Keying Options	Housing Color	Tab Housing Assembly	Part Numbers			
				Lock Housing	Upper Receptacle	Middle Receptacle	Lower Receptacle
58			1903166-1	-	-	-	-
30	-	Natural (White)	-	1903614-1	1903615-1	1903608-4	1903611-6
28			-	1903607-4*	-	1903608-8	1-1903611-0

*) Housing Color: Black

Note: Only the 0.50 receptacle contact goes into 30 positions receptacle.

As to 28 positions, 24 cavities are for 0.50 receptacle contacts and 4 cavities are for 1.5 receptacle contacts.

76 Position Screw Mount Type

Technical Features

No. of Positions:

76 Positions

Housing Material

Tab Housing:
SPS-GF

Tab Contact Finish:

Post-tinned

Receptacle Housing:

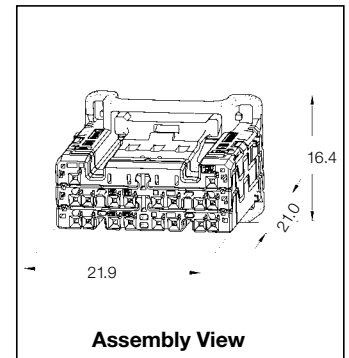
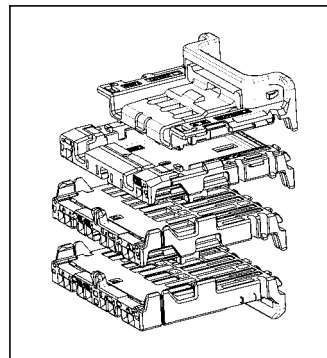
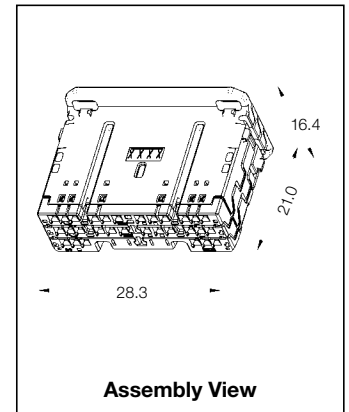
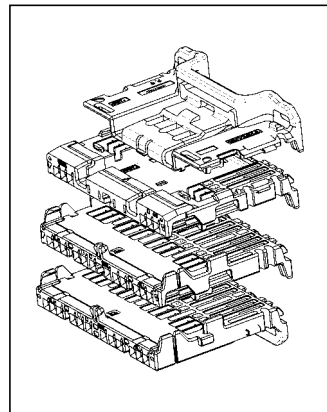
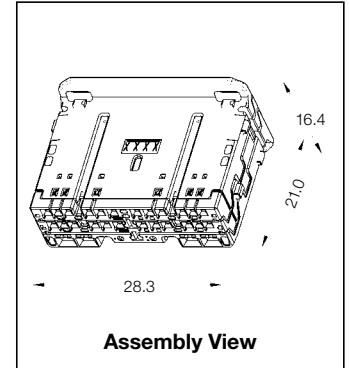
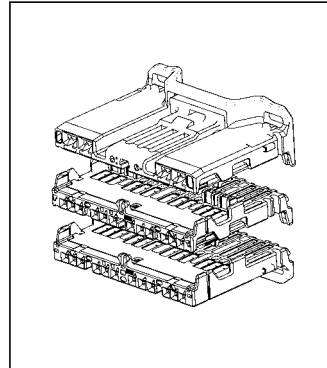
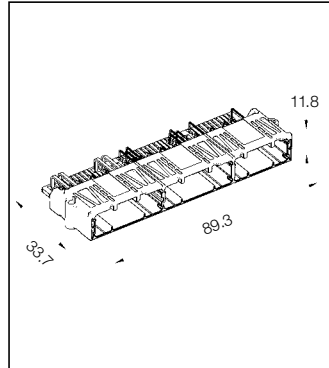
PBT

Product Specification:

108-78437

Application Specification:

411-78268



76 Position Screw Mount Type

No. of Positions	Keying Options	Housing Color	Tab Housing Assembly	Part Numbers			
				Lock Housing	Upper Receptacle	Middle Receptacle	Lower Receptacle
76			1903965-1	–	–	–	–
28		Natural (White)	–	1903607-1	–	1903608-3	1903611-4
30			–	1903614-1	1903615-1	1903608-4	1903611-5
18			–	1903984-1	1903985-1	1903988-4	1903991-4

Note: Only the 0.50 receptacle contact goes into 30 positions and 18 positions receptacle.

As to 28 positions, 24 cavities are for 0.50 receptacle contacts and 4 cavities are for 1.5 receptacle contacts.

12 Position Receptacle (Plug) Housing

Technical Features

No. of Positions:

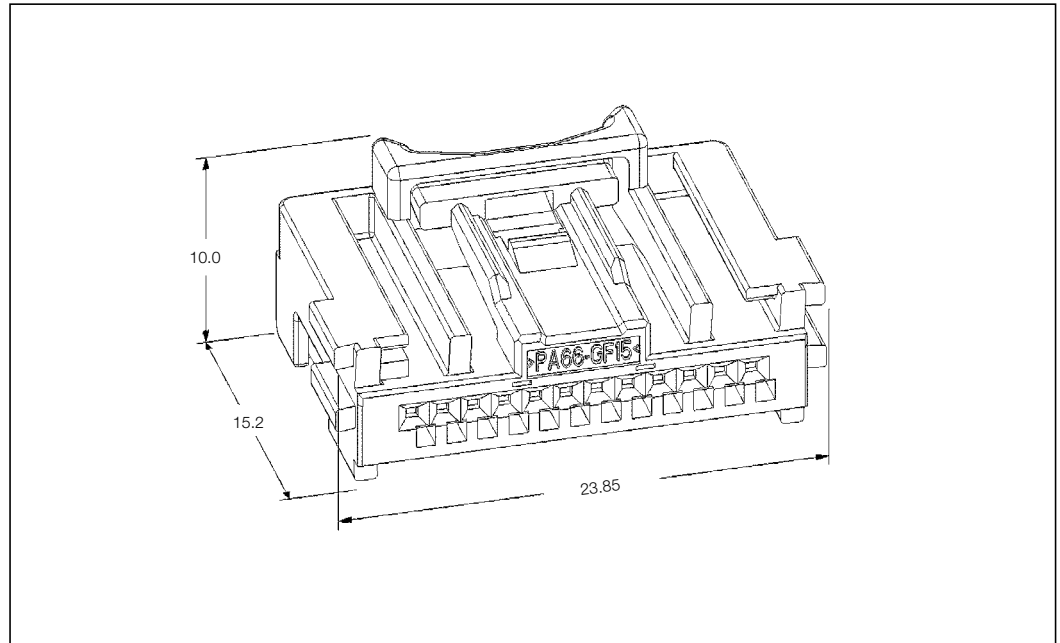
12 Positions

Housing Material

Nylon-15GF

Application Specification:

Not released at this time. Can be found on the TE Connectivity website by searching for documents associated with part numbers in the table below.

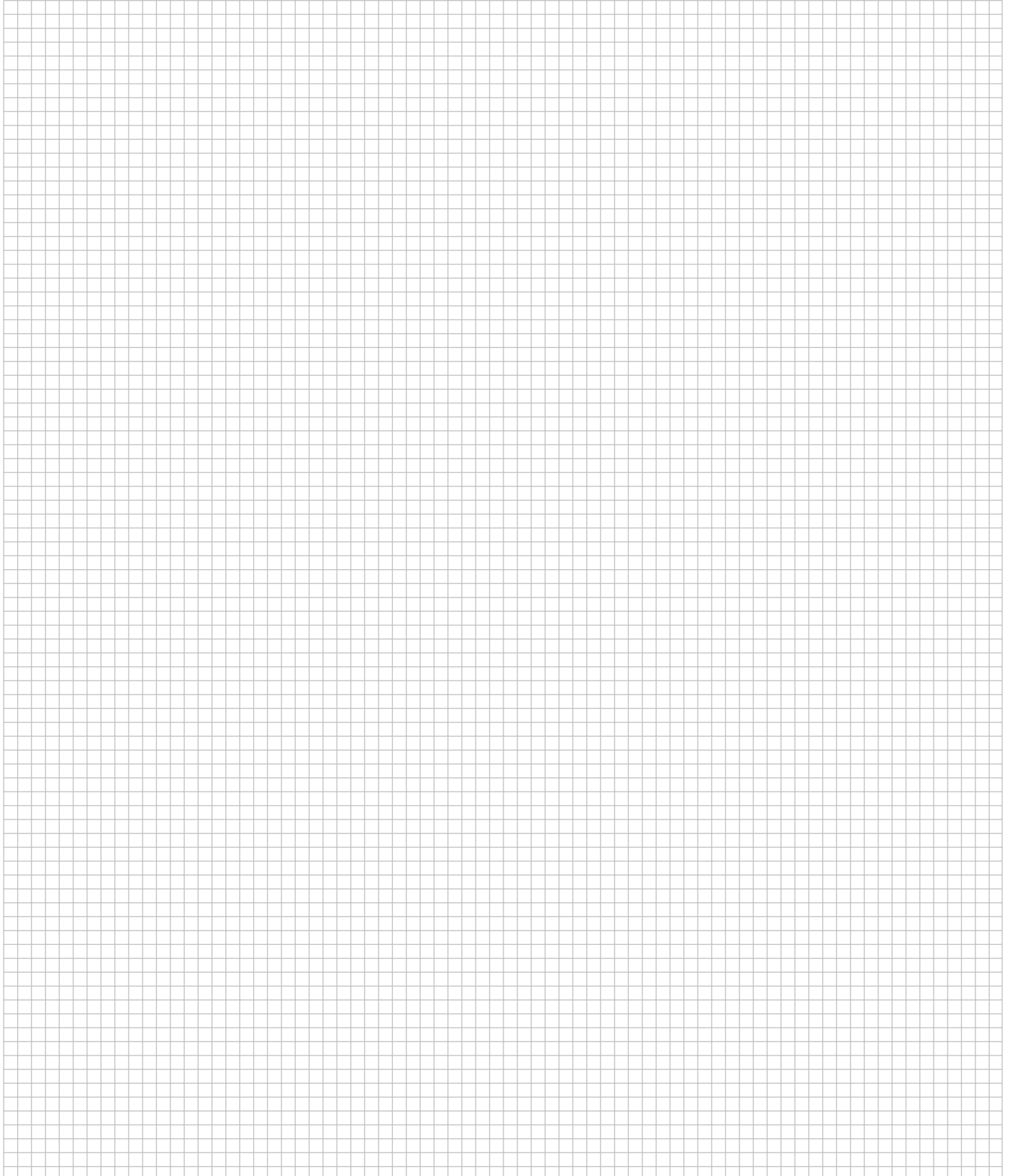


12 Position Receptacle (Plug) Housing

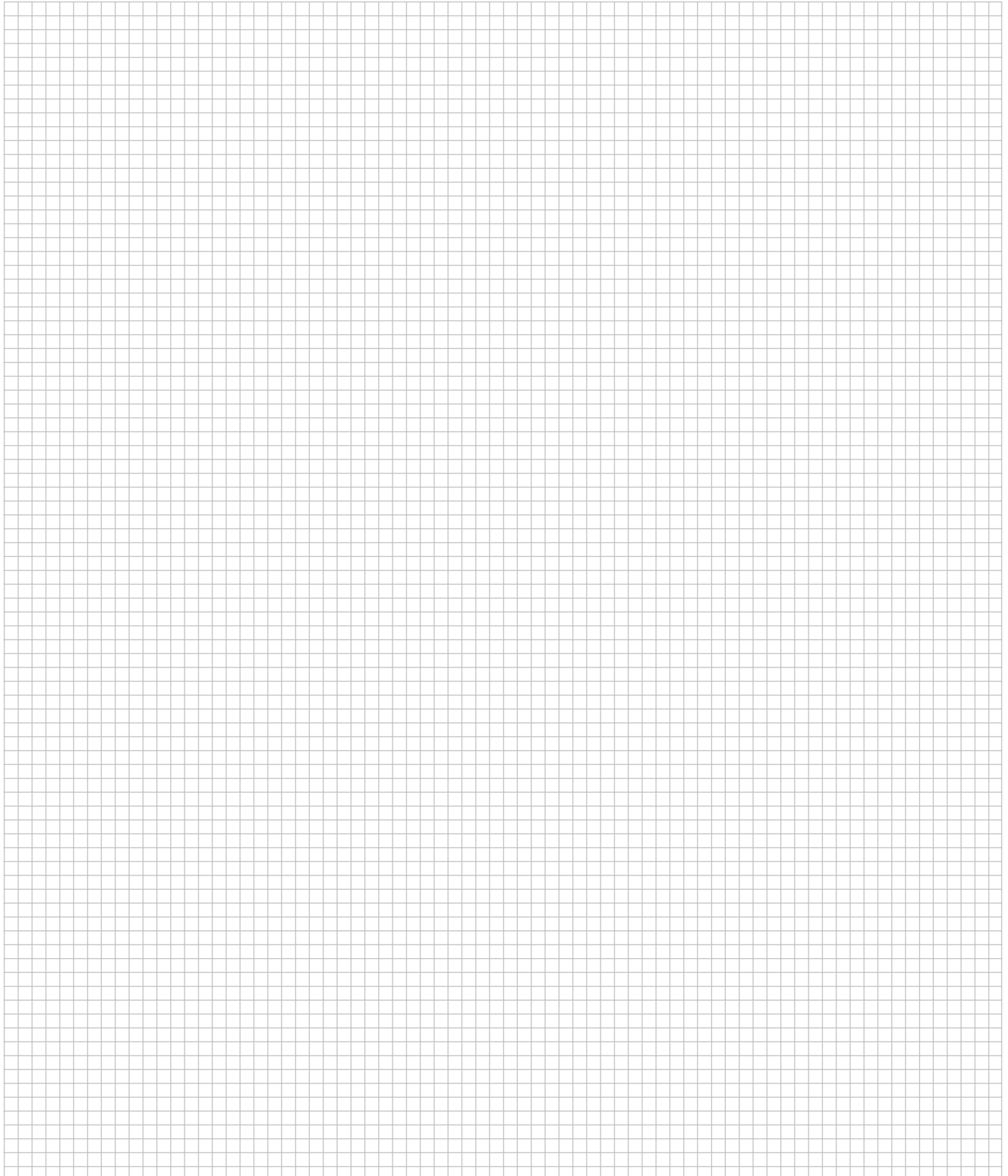
No. of Positions	Keying Options	Housing Color	Receptacle (plug) Part Number
12	A	Black	2138374-1
12	B	Black	2138374-2
12	C	Black	2138374-3
12	D	Black	2138374-4

This connector is on 1.5 mm centerlines. Due to size constraints the largest O.D. insulation that can be used is 1.20 mm.

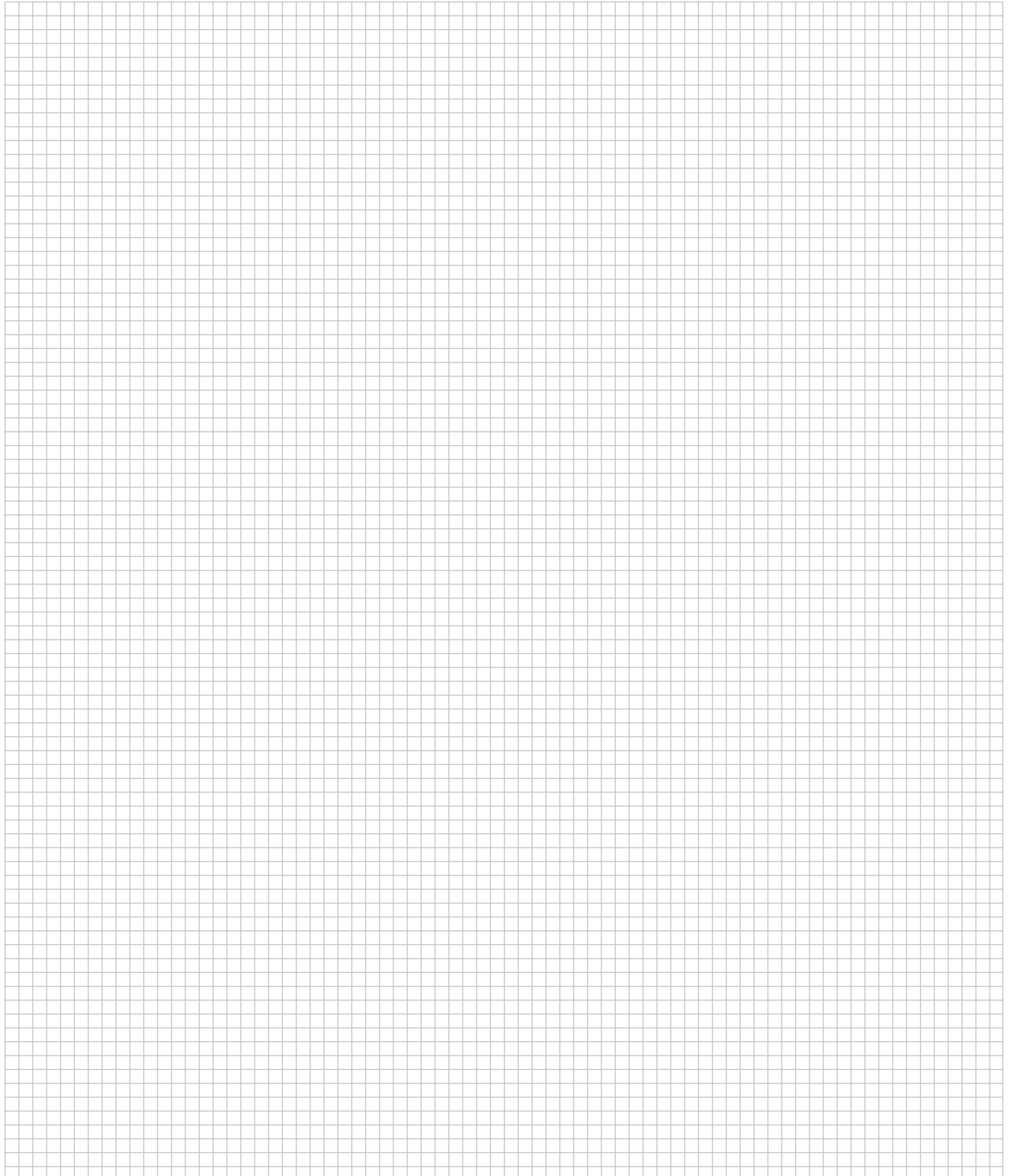
Engineering notes



Engineering notes



Engineering notes

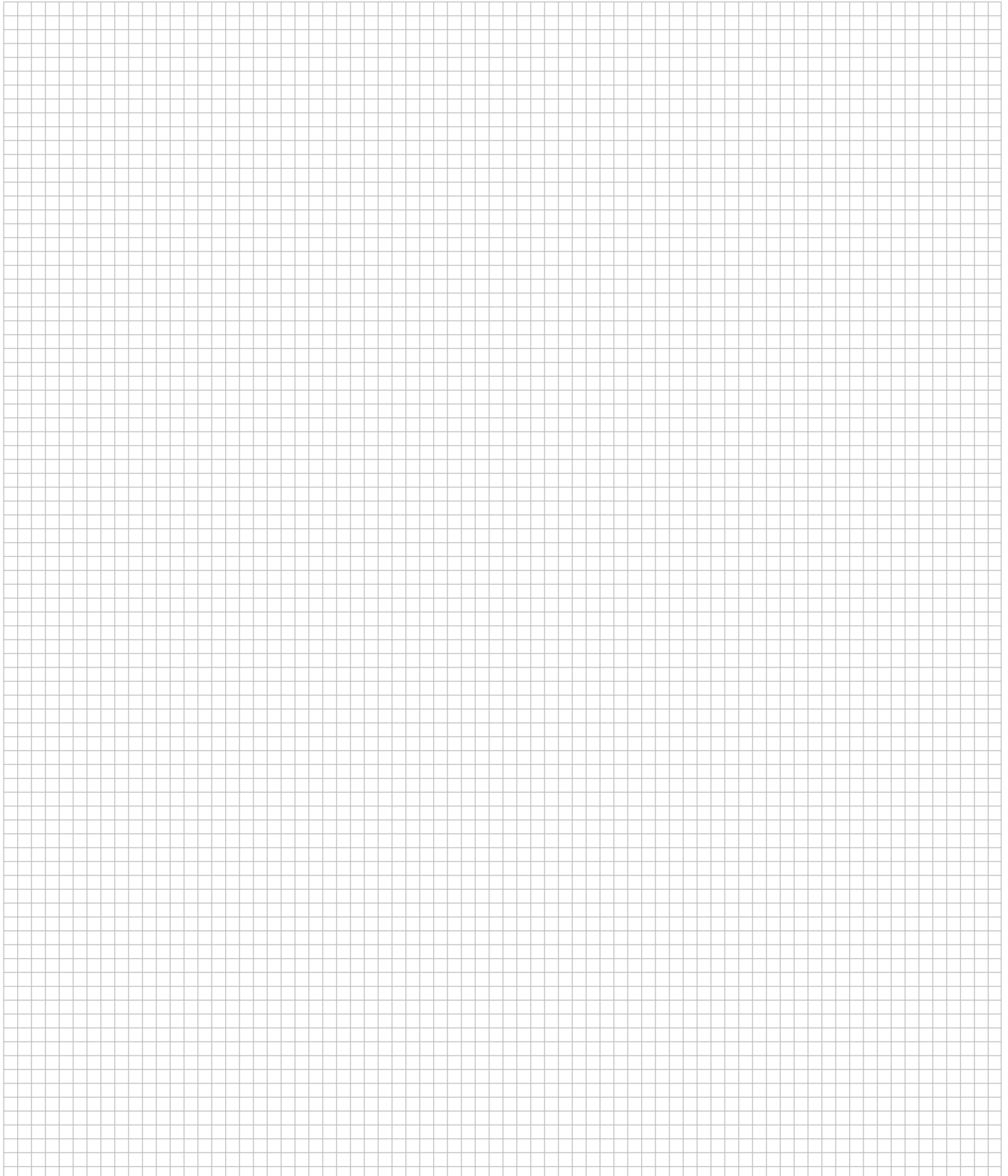


A large grid area for engineering notes, consisting of a uniform grid of small squares covering the majority of the page.

Numerical Index

Part Number	Page	Part Number	Page	Part Number	Page
1-1903608-0	6	1903695-2	6		
1-1903611-0	9	1903703-1	2		
1762850-2	2	1903876-1	8		
1762851-2	2	1903882-1	8		
1762852-2	2	1903883-1	8		
1762853-2	2	1903886-4	8		
1827842-1	3	1903965-1	10		
1827855-1	2	1903984-1	10		
1827855-2	2	1903984-1	5		
1827855-3	2	1903985-1	10		
1827855-4	2	1903985-1	5		
1871806-1	3	1903988-4	10		
1903166-1	9	1903988-4	5		
1903607-1	10	1903991-4	10		
1903607-1	7	1903991-4	5		
1903607-4	9	1903994-1	5		
1903608-3	10	1903995-1	5		
1903608-4	10	1903998-1	5		
1903608-4	9	1939082-2	7		
1903608-4	4	1939331-1	5		
1903608-6	6	1939440-1	4		
1903608-8	9	2-1903611-6	6		
1903611-1	7				
1903611-4	10				
1903611-4	6				
1903611-5	10				
1903611-5	4				
1903611-6	9				
1903614-1	10				
1903614-1	6				
1903614-1	9				
1903614-1	4				
1903614-2	6				
1903615-1	10				
1903615-1	9				
1903615-1	4				
1903615-3	6				
1903615-4	6				

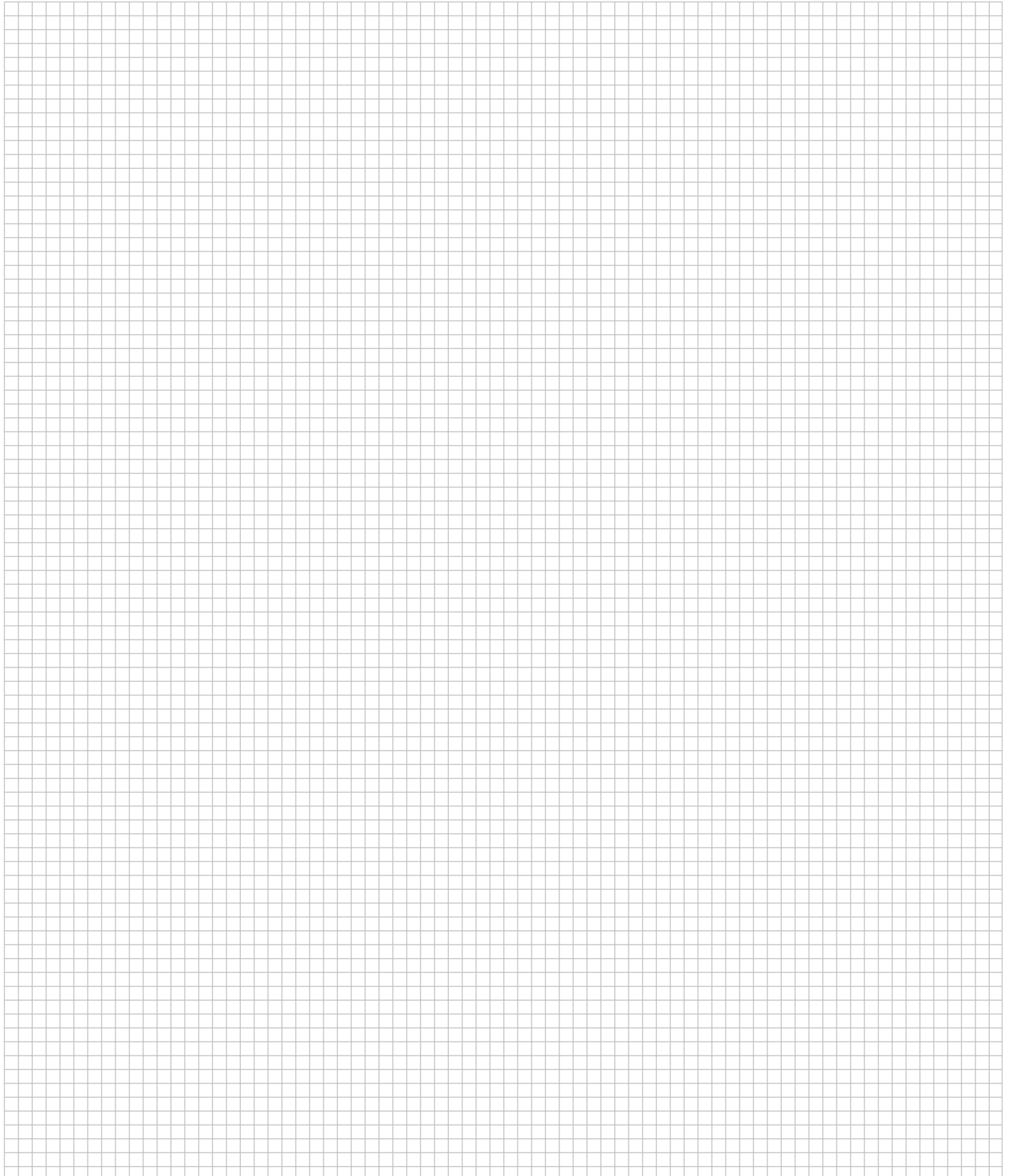
Engineering notes



Engineering notes

A large grid area for engineering notes, consisting of a uniform grid of small squares covering the majority of the page.

Engineering notes



Americas

Argentina - Buenos Aires (Chile, Colombia, Ecuador, Venezuela)

Phone: +54-11-4733-2202
Fax: +54-11-4733-2250

Brasil - São Paulo

Phone: +55-11-2103-6105
Fax: +55-11-2103-6204

Canada - Toronto

Phone: +1-905-475-6222
Fax: +1-905-474-5520
Product Information Center:
Phone: +1-905-470-4425
Fax: +1-905-474-5525

Mexico - Mexico City

Phone: +52-55-1106-0800
+01-800-733-8926
Fax: +52-55-1106-0910

United States

Harrisburg, PA
Phone: +1-717-564-0100
Fax: +1-717-986-7575
Product Information Center:
Phone: +1-800-522-6752
Fax: +1-717-986-7575

For South American Countries not shown

Phone: +54-11-4733-2015
Fax: +54-11-4733-2083

Asia/Pacific

Australia - Sydney

Phone: +61-2-9554-2600
Fax: +61-2-9502-2556
Product Information Center:
Phone: +61-2-9840-8200
Fax: +61-2-9634-6188

Indonesia - Jakarta

Phone: +62-21-2929-3800
Fax: +62-21-2929-3899

Japan - Kawasaki, Kanagawa

Phone: +81-44-844-8111
Fax: +81-44-812-3207

Korea - Seoul

Phone: +82-2-3415-4500
Fax: +82-2-3486-3810

Malaysia - Kuala Lumpur

Phone: +60-3-7806-7688
Fax: +60-3-7805-3066

New Zealand - Auckland

Phone: +64-9-634-4580
Fax: +64-9-634-4586

Philippines - Makati City

Phone: +632-988-9400
Fax: +632-659-7737

People's Republic of China

Hong Kong
Phone: +852-2738-8731
Fax: +852-2735-0243

Shanghai

Phone: +86-21-3398-0000
Fax: +86-21-3398-1999

Singapore - Singapore

Phone: +65-6482-0311
Fax: +65-6482-1012

Taiwan - Taipei

Phone: +886-2-8768-2788
Fax: +886-2-8768-2268

Thailand - Bangkok

Phone: +66-2-834-6200
Fax: +66-2-937-1820

Vietnam - Ho Chi Minh City

Phone: +84-8-3823-8473
Fax: +84-8-3823-8533

Europe/Middle East/Africa

Austria - Vienna

Phone: +43-1-905-60-0
Fax: +43-1-905-60-1333
Product Information Center:
Phone: +43-1-905-60-1228
Fax: +43-1-905-60-1333

Belarus - Minsk

Phone: +375-17-237-47-94
Fax: +375-17-237-47-94
Product Information Center:
Phone: +7-495-790-7902
Fax: +7-495-721-1893

Bulgaria - Sofia

Phone: +359-2-971-2152
Fax: +359-2-971-2153

Czech Republic and Slovakia

Czech Republic - Kurim, Brno
Phone: +420-541-162-108
Fax: +420-541-162-104
Product Information Center:
Phone: +420-541-162-113
Fax: +420-541-162-104

Denmark - Glostrup

Phone: +45-43-48-04-00
Fax: +46-8-50-72-50-01
Product Information Center:
Phone: +46-8-50-72-50-00

Egypt - Cairo

Phone: +20-2-24192334
Fax: +20-2-24177647

Estonia - Tartu

Phone: +372-5138-274
Fax: +372-7400-779

Finland - Helsinki

Phone: +358-95-12-34-20
Fax: +46-8-50-72-50-01
Product Information Center:
Phone: +46-8-50-72-50-00

France - Cergy-Pontoise Cedex

Phone: +33-1-3420-8888
Fax: +33-1-3420-8800
Product Information Center:
Phone: +33-1-3420-8686
Fax: +33-1-3420-8624

France Export Divisions -

Cergy-Pontoise Cedex
Phone: +33-1-3420-8866
Fax: +33-1-3420-8300

Germany - Bensheim (Switzerland)

Phone: +49-6251-133-0
Fax: +49-6251-133-1600
Product Information Center:
Phone: +49-6251-133-1999
Fax: +49-6251-133-1988

Hungary - Budapest

Phone: +36-1-289-1000
Fax: +36-1-289-1010
Product Information Center:
Phone: +36-809-874-04
(toll free)

India - Bangalore

Phone: +91-080-2854-0800
Fax: +91-080-2854-0820/21

Italy - Collegno (Torino)

Phone: +39-011-4012-111
Fax: +39-011-4031-116
Product Information Center:
Phone: +39-011-4012-632
Fax: +39-011-4028-7632

Lithuania and Latvia

Lithuania - Vilnius
Phone: +370-5-213-1402
Fax: +370-5-213-1403

Morocco - Tangier

Phone: +212-5-31-06-2700
Fax: +212-5-31-06-2728

Netherlands - 's-Hertogenbosch (Belgium, Luxemburg)

Phone: +31-73-6246-246
Fax: +31-73-6212-365
Product Information Center:
Phone: +31-73-6246-999
Fax: +31-73-6246-998

Norway - Nesbru

Phone: +47-66-77-88-50
Fax: +46-8-50-72-50-01
Product Information Center:
Phone: +46-8-50-72-50-00

Poland - Warsaw

Phone: +48-22-4576-700
Fax: +48-22-4576-720

Romania - Bucharest

Phone: +40-21-311-3479/3596
Fax: +40-21-312-0574

Russia - Moscow

Phone: +7-495-790-7902
Fax: +7-495-721-1893
Product Information Center:
Phone: +7-495-790-7902
Fax: +7-495-721-1893

Nizhniy Novgorod

Phone: +7-831-220-33-05/-06
Fax: +7-831-220-33-39/-40

Slovenia - Ljubljana

Phone: +386-1561-3270
Fax: +386-1561-3240

South Africa - Port Elizabeth

Phone: +27-41-503-4500
Fax: +27-41-581-0440

Spain - Barcelona

Phone: +34-93-291-0300
Fax: +34-93-564-4819
Product Information Center:
Phone: +34-93-291-0366
Fax: +34-93-209-1030

Sweden - Upplands Väsby

Phone: +46-8-50-72-50-00
Fax: +46-8-50-72-50-01
Product Information Center:
Phone: +46-8-50-72-50-00

Turkey - Istanbul

Phone: +90-212-339-9200
Fax: +90-212-339-9202

Ukraine - Kiev

Phone: +380-44-206-2265
Fax: +380-44-206-2264
Product Information Center:
Phone: +380-44-206-2265
Fax: +380-44-206-2264

United Kingdom and

Ireland - Swindon
Phone: +44-8706-080208
Fax: +44-208-954-6234
Product Information Center:
Phone: +44-800-267-666



Tyco Electronics AMP GmbH
a TE Connectivity Ltd. company

AMPèrestr. 12-14
64625 Bensheim / Germany
Phone: +49 (0)6251-133-0
Fax: +49 (0)6251-133-1600

www.te.com
www.te.com/automotive
www.te.com/automotive/sensors

AMP MCP, TE Connectivity and
TE connectivity (logo) are trademarks.

MOST is a trademark of SMSC Europe GmbH
and licensed to Tyco Electronics AMP GmbH

USCAR is a trademark.

Tyco Electronics AMP GmbH certified
acc. ISO 14001 and ISO/TS 16949:2002

© 2012 Tyco Electronics AMP GmbH
1654360-1 | Issued 8-2012 | Germany

DISCLAIMER

While TE has made every reasonable effort to ensure the accuracy of the information in this catalog, TE does not guarantee that it is error-free, nor does TE make any other representation, warranty or guarantee that the information is accurate, correct, reliable or current.

TE reserves the right to make any adjustments to the information contained herein at any time without notice. TE expressly disclaims all implied warranties regarding the information contained herein, including, but not limited to, any implied warranties of merchantability or fitness for a particular purpose. The dimensions in this catalog are for reference purposes only and are subject to change without notice. Specifications are subject to change without notice. Consult TE for the latest dimensions and design specifications.



AUTOMOTIVE

Mouser Electronics

Authorized Distributor

Click to View Pricing, Inventory, Delivery & Lifecycle Information:

[TE Connectivity:](#)

[1903615-1](#)